

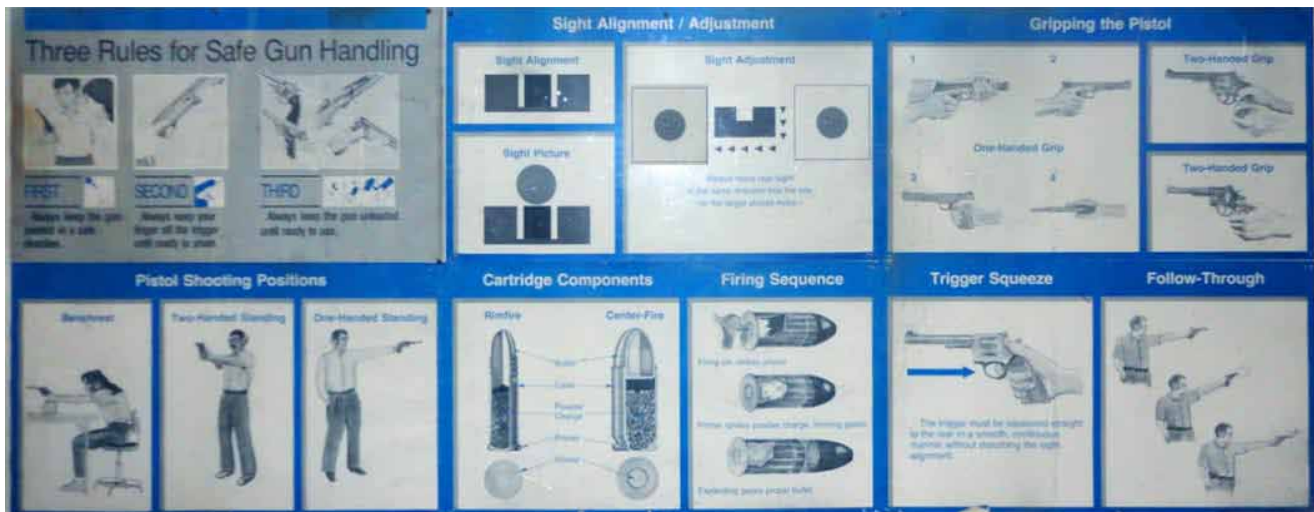
**HOLBROOK
SPORTSMAN'S CLUB
ORIENTATION
PROGRAM**

DATED JULY 2015

HOLBROOK SPORTSMEN'S CLUB • 150 QUINCY ST. • HOLBROOK, MA 02343 • 781-767-4971

WWW.HOLBROOKSPORTSMENCLUB.COM

ORIENTATION PROGRAM IS ALL ABOUT SAFETY YOURS AND MINE



INTRODUCTION

- **SAFETY** - Building emergency exits locations, Where Eye/Ear protection, , Proper clothing
- **No alcohol/ Drugs** on club property, No Glass, cans or unapproved targets, follow all Range Rules
- **CLUB ACCESS** - w/key card and Gate procedure
- **CLUB HOUSE** - Interior club house-upstairs member lounge, general area, kitchen, front lobby, bath rooms
- **FAILURE TO FIRE** - Hang fire, miss fire, dud , failure to extract case and ammo stuck in the barrel, safe removal, Place all ammo duds in "RED DUD BOX", indoor range 1 and big bore range
- **SIGHT PICTURE**- Dominant Eye
- **RANGE RULES**- Video
- **OUTDOOR CLUB**- No Shooting Before 9:00AM or After Sunset -walk around and Review indoor / outdoor Safety Rules
- **Club House Rules**
- **General Rules**
- **Indoor Range# 1 & # 2 Rules**- same for both ranges (firing line at shooting stations. only)
- **Big Bore**- Talk about firing line, safety lights, securing of fire arms when lights are on. show warm up house, walk down and show them target holders, at 25 yards, , shooting area and how you can't see past 100yds berm
- **Plinking Range**-RED Flag, firing line, no shooting beyond firing line or of to the sides unless handicap, all targets on bottom of berm or in target stand,(do not shoot towards ground or top of berm.
- **Trap and Skeet Fields** -Discuss educate, how game is played, show warm up house/pavilion, and where they would sign up for a line. Wednesday night Trap under lights 6-9 PM
- **Archery**- black target, broad head only, all other targets straight practice tip only, safety on elevated practice stand, shooting from top platform only
- **Other activity area**, ax throwing thoroughly, picnic table and children swings
- Go over garage area and wood shed'

- **INDOOR RANGE**
- Indoor range-eyes, ears, elevator, range rules, safety cease fire light, air system, heat system, shooting stations.
- Disposal of cases and duds.
- Note-turn body not gun
- No going beyond firing line

- **SIGN_OFF** - Safety Orientation Card, approx 60 Days for yellow card signatures and membership acceptance

*Make sure they know where to go when they have all signatures, come in to lobby at General Meeting, get signature and go into meeting.



Holbrook Sportsmen's Club, Inc.

P.O. Box 275

Holbrook, Massachusetts 02343

New Range Rule adopted May 12, 2014

The Range Rules Committee has worked for several months to revise and update the Holbrook Sportsmen's Club Range Rules. The Executive Board had approved these new and revised Range Rules effective May 12th, 2014.

New signage will be produced and displayed in the appropriate areas at the Club. Become familiar with these new rules. It is every members responsibility to know and observe these rules.

THE CARELESS USE AND HANDLING OF FIREARMS WILL BE JUST CAUSE FOR REQUIRING APPEARANCE BEFORE THE EXECUTIVE BOARD FOR APPROPRIATE ACTION.

- I. Loaded guns are allowed in the clubhouse, but they must remain holstered or may only be cleared in approved areas such as range 1 or behind, or in-front of the building. No loaded rifles of any kind allowed in the clubhouse.
- II. No aiming of firearms, shouldering of rifles or shotguns within the clubhouse.
- III. All firing on club ranges will be subject to regulations established for each individual range.
- IV. All ranges will be closed for maintenance on Saturdays until 12:30 p.m.
- V. Exceptions subject to approval by the executive board.

OUTDOOR RANGE RULES

- Treat all firearms as if they are loaded.
- Prior to handling of firearms ensure that the range is safe and nobody is down range.
- All shooting must be done conducted as aimed fire. No shooting from the hip or un-aimed fire.
- No Full Auto or Burst and Bump Firing allowed. Rapid Fire should be done responsibly.
- Keep muzzles pointed in a safe direction and down range at all times.
- Keep all firearms unloaded. All bolts and cylinders must be open and magazines removed until in position on the firing line and ready to fire. Keep finger off the trigger until ready to fire.
- Empty Chamber Indicator must be placed in each firearm when not in use. Weed Whacker Cord is provided on the range for this purpose.
- Ear and eye protection must be worn when on the range.
- Flag if Present will be raised when the Range is in use.
- When a cease-fire is called, all shooters will unload their firearm and make them safe. If a flag is present it will be lowered, if there is a flashing light present it will turned on, and movement beyond the firing line will be permitted . There will be no handling of firearms Magazines or equipment, while the flag is lowered or while a cease-fire is in effect always check down range prior to all firing. Turn Warning light off or Raise Flag prior to resuming firing.
- After the line has been declared safe, all personnel must stay behind the Yellow Safety Line.
- All firing is to be done from the firing line unless otherwise approved by the executive board.
- Armor piecing tracer and incendiary rounds are not allowed on club property.
- No shooting at Glass, cans, or other non-approved objects at any time. Firing is to be done at approved targets only.
- Approved Targets list is Paper Targets, Ballistic Rubber Targets, Steel Plate Targets on a fixed stand, Clay Targets.
- Steel Plate Gong type targets must be placed at the 100 yard berm or 200 yard berm and be attached to a rigid support. Not suspended from a rope or cable type device. Downward angle targets. No higher than 36" center line.
- No 50 BMG firing at 100 Yards.
- Targets are to be hung on Target Stands at between 42" and no more than 72" to ensure bullet impact into the backstop berms.
- Targets are to be placed at 25 yards, 50 yards, 75 yards, 100 yards or 200 yards only.
- No targets placed on the ground. All targets must be hung on Target Stands.
- No Cross Firing.

- No drawing from a holster or quick draw shooting on the Plinking Range. Left or Right Hip holster only on Big Bore Range. No Cross Draw, No rearward facing holsters allowed. Firearm must be on safe while drawing.
- Clay Targets except thrown targets for sporting clay, skeet or trap shooting must use Trap Field 5 if available.
- Clay targets must be placed on the 100 yard berm face, no higher than 48" or positioned so that a proper backstop is provided
- The range master and his/her assistant's are in charge at all times in their absence, all members present will be considered temporary range officers.
- Junior members must not use the range unless under the supervision of a charter or associate member.
- Guest may not use the range unless accompanied by a charter or associate member.
- Only one Guest may fire under the direct visual supervision of the Member. The member may not shoot while supervising their guest.
- Use of the range is allowed from 9 am to sunset, with the exception of lighted fields or ranges. Sunset is 30 minutes prior to Dusk. As published Weather.com
- Remove and dispose of targets, target stands and trash when finished shooting. Clean up your empty shell casings when finished.
- Return all Target Stands to the Target Stand storage area. Do not leave stands on the range.
- Never use alcohol or drugs while or before shooting. No one may operate a firearm if they have consumed any alcohol or drugs.
- All Federal and state firearm laws must be obeyed.
- Failure to abide by these rules may result in ejection and banishment from the range and suspension or termination from membership.

INDOOR RANGE RULES

- Treat all firearms as if they are loaded.
- Keep muzzles pointed in a safe direction and down range at all times.
- Keep all firearms unloaded. All bolts and cylinders must be open and magazines removed until in position on the firing line and ready to fire. Keep finger off the trigger until ready to fire.
- Ear and eye protection must be worn when on the range.
- When a cease-fire is called, all shooters will unload their firearm and make them safe.. Turn on the Flashing Red Light, when all firearms are safe, movement beyond the firing line will be permitted only in emergency situations. There will be no handling of weapons while a cease-fire is in effect.
- After the line has been declared safe, all personnel must step back from the firing line.
- All firing to be done from the firing line.
- All targets must be placed a minimum of 25 feet from the firing line.
- Restrictions on handgun ammunition will be placed on each range and shall be noted prior to commencing fire.
- No Full Auto or Burst and Bump Firing allowed. Rapid Fire should be done responsibly.
- Firing shall be done at paper targets only, and only with ammunition approved for indoor range use, as posted on each individual range.
- The range master and his/her assistant's are in charge at all times in their absence, all members present will be considered temporary range officers.
- Junior members must not use the range unless under the supervision of a charter or associate member.
- Guest may not use the range unless accompanied by a charter or associate member.
- Only one Guest may fire under the direct visual supervision of the Member. The member may not shoot while supervising their guest.
- No Movement in front of the firing line is authorized. Only by the E-Board.
- No smoking, eating or drinking allowed while firing on the indoor range.
- Never use alcohol or drugs while or before shooting. No one may operate a firearm if they have consumed any alcohol or drugs.
- All Federal and state firearm laws must be obeyed.
- Failure to abide by these rules may result in ejection and banishment from the range and suspension or termination from membership.

RANGE #1 AND #2 INDOOR REGULATIONS

- Rifles are restricted to pellet and 22lr. rimfire only.
- Shotguns and Black powder guns are not permitted.
- No amour piercing or incendiary, explosive bullets or devices allowed.
- The use of BB or shot cartridges consisting of steel shot is not permitted.
- BB Gun shooting is not allowed on Range 2 Rubber Block wall.
- Authorized targets to be no longer than 24" wide by 42" long.
- No cross range firing. Shoot at targets directly in line with your shooting bay.
- No quick draw from a holster or hip shooting allowed. Except at Approved scheduled events.
- Reloaded bullets must not exceed either 1500 fps or 1500 ft. lbs.
- Pistols are restricted to those calibers listed below. If your caliber is not listed, it is not allowed! If unsure, don't shoot it.
- Mid-Range loads with lead bullets are highly recommended.

APPROVED FACTORY PISTOL LOADS

22 rimfire 22 WMR pistol only	38 / 40 Win
25 Auto ACP	380 ACP
30 Luger	40 S&W
30 Mauser	41 AE
32 ACP	41 Magnum
32 H&R Magnum	44 Auto Mag
32 S&W	44 Mag
32 S&W Long	44 Special
32 Short Colt	44 / 40 Win
32/20 Winchester	45 ACP
357 Auto Mag 357 Sig	45 Auto Rim
357 Magnum	45 Colt
38 Auto	45 Long Colt
38 Super Auto	455 Colt
38 Special	9mm Luger
38 S&W	10 mm Auto

TRAP RANGE RULES

- Each shooter is required to observe and comply with all range safety rules. If in doubt ask the range officer.
- As a firearms owner/use you are responsible for your actions.
- Treat all firearms as if they are loaded.
- Always keep your gun pointed in a safe direction.
- Always keep your finger off the trigger until ready to shoot.
- All guns must have the action opened and contain no live or empty shells at any time, except while the shooter is on the firing line. A break open gun's action may be closed when it is in a gun rack but it shall not contain a live or empty shell.
- Keep your gun pointed downrange at all times.
- Never move from a station with a loaded gun.
- All persons including competitors, referee/scorers, and trap personnel must wear appropriate eye and hearing protection while on the trap field.
- No shot size larger than #7 1/2 is allowed. No game loads are allowed.
- No loads allowed with a velocity greater than 1290 FPS (Feet Per Second) with maximum shot charge of 1 1/8 ounces, or 1325 FPS with a maximum shot charge of 1 ounce, or 1350 FPS with a maximum shot charge of 7/8 ounces or less, as measured in any individual shotshell. These velocities are maximum and no individual shotshell shall exceed these limits for the designated shot charge. In addition, no load containing more than 1 1/8 ounces or any shot larger than Number 7 1/2 can be used. Shot charges are maximum and no charge may exceed the charge amount by more than 3%.
- Load only one shell for singles. Load only two shells for doubles.
- All duds and misfired shells must be removed from club grounds by the owner or placed in the Dud Container. Do not leave them on the ground or put them in the trash. Always keep the firearm pointed in a safe direction and clear the firearm in a safe manner.
- Always check the barrel with a ram-rod after any abnormal discharge.
- Pick up only your empties and only after your squad's shooting is completed.
- If a cease fire is called, all firearms must be immediately unloaded and actions opened.
- Only individuals that are shooting are permitted on the trap field.
- Only authorized personnel are permitted forward of the 16 yard line.
- Guest may not use the range unless accompanied by a charter or associate member.
- Only one Guest may fire under the direct visual supervision of the Member. The member may not shoot while supervising their guest.
- No one under the age of 18 is allowed to shoot on the trap fields without the direct supervision of a Member.
- No one shall discharge a firearm that they are not knowledgeable about or capable of operating. This does not preclude assistance while tutoring. The range officer has full discre-

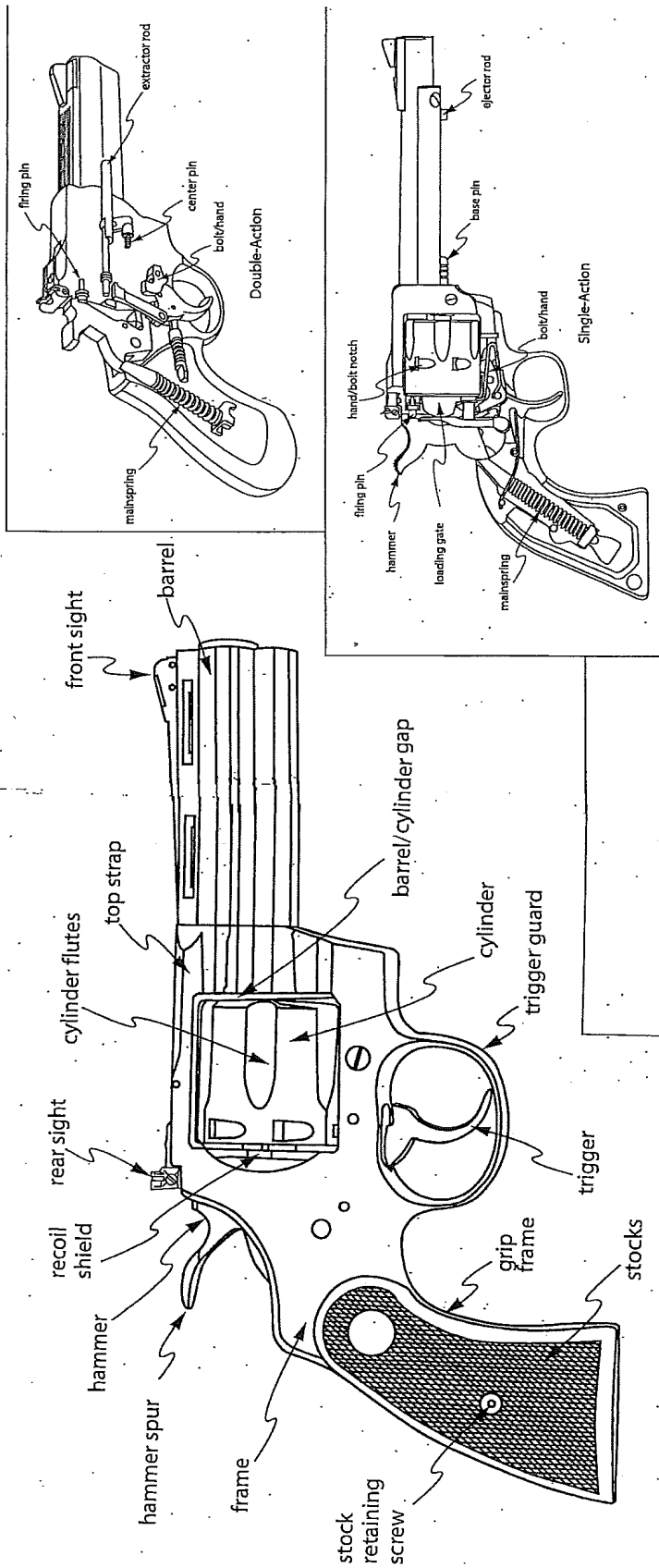
tion in such matters.

- Individuals that have never shot trap before will be required to shoot their first round on a squad with other experienced shooters or under the supervision of an experienced individual authorized by the range officer.
- Be courteous to other shooters and helpers.
- Never use alcohol or drugs while or before shooting. No one may operate a firearm if they have consumed any alcohol or drugs.
- All Federal and state firearm laws must be obeyed.
- Failure to abide by these rules may result in ejection and banishment from the range and suspension or termination from membership.

ARCHERY RANGE RULES

ALL OUT DOOR RANGE RULES APPLY TO ARCHERY RANGE

- The practice archery firing line is at your designated bow rest
- Broad head and crossbows to be shot at designated black targets only.
- Shoot from designated lane only NO CROSS FIRE.
- No retrieving of arrows until the line is called safe.
- No handling of bow when people are down range.
- Clean up after yourself.
- Two people at a time in the stand.
- No one under the age of 18 is allowed to shoot on the Archery Range without the direct supervision of a Member.
- Guest may not use the range unless accompanied by a charter or associate member.
- Only one Guest may fire under the direct visual supervision of the Member. The member may not shoot while supervising their guest.
- Keep your arrows in your quiver or stand, until your ready to shoot.
- Keep your arrows pointed downrange towards the targets.
- Secure loose clothing.
- Treat your fellow archers with respect.
- Never use alcohol or drugs while or before shooting. No one may operate a firearm if they have consumed any alcohol or drugs.
- All Federal and state firearm laws must be obeyed.
- Failure to abide by these rules may result in ejection and banishment from the range and suspension or termination from membership.



When it comes to firearms, very specific terms have developed to describe their parts, what they do and how they work. Here is an illustrated primer on the nomenclature of gun parts. Don't worry, the quiz isn't until Friday.

A

firearm design standardized around prevailing types of locks, a unique nomenclature evolved for describing specific parts common to most or all guns. That terminology grew along with the emergence of different kinds of guns and operating systems, and today, those who manufacture, sell, repair and shoot firearms rely on a highly developed vocabulary. Even though certain models contain parts unique only to that particular gun, and while some makers may call a similar part by different

BY AMERICAN RIFLEMAN STAFF

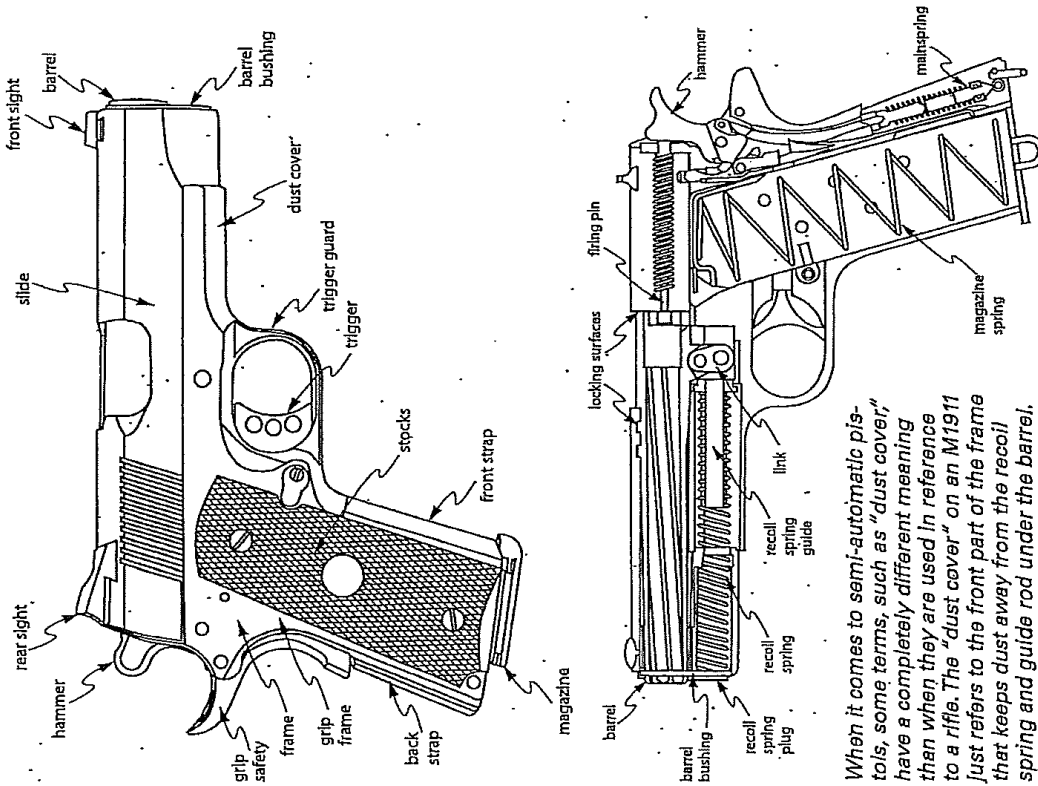
names, everyday firearm nomenclature is in fact very functional. Language differences aside, gun folks the world over know that a "slide" is the moving top piece of a semi-automatic pistol, that "locking lugs" can be found on the "bolts" of various rifles and shotguns, and that the majority of "repeaters" have an "ejection port."

Specialized gun-speak certainly can appear arcane and mysterious to the novice shooter, but for many firearm enthusiasts, learning to talk the talk is part of the fascination and fun.

Gun Parts

GUN PARTS

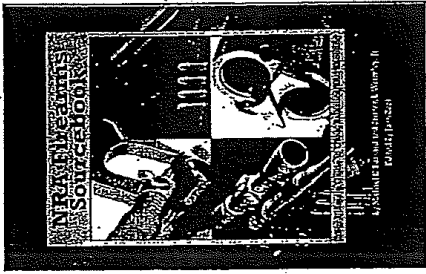
continued from p. 57



When it comes to semi-automatic pistols, some terms, such as "dust cover," have a completely different meaning than when they are used in reference to a rifle. The "dust cover" on an M1911 just refers to the front part of the frame that keeps dust away from the recoil spring and guide rod under the barrel.

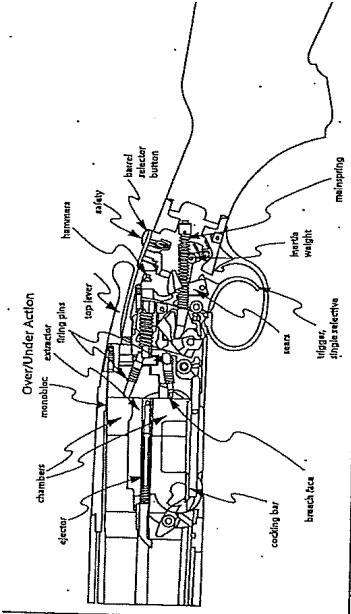
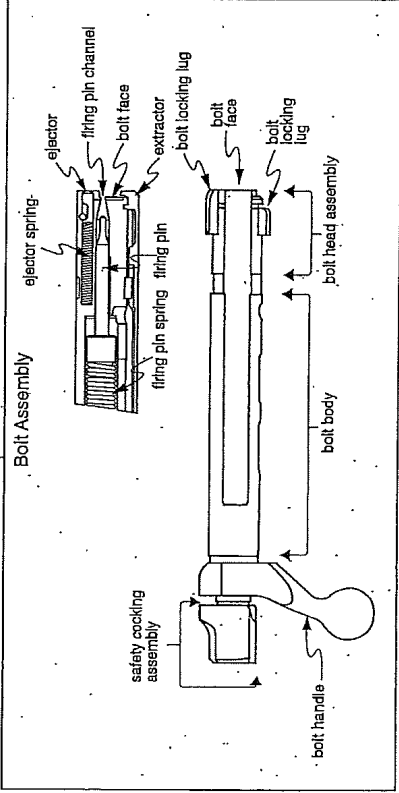
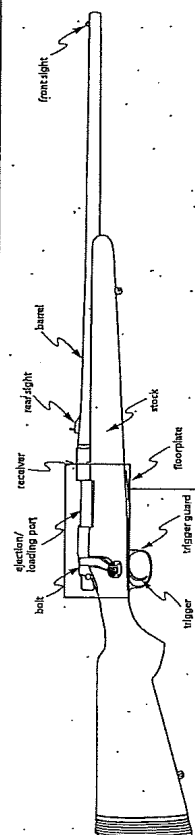
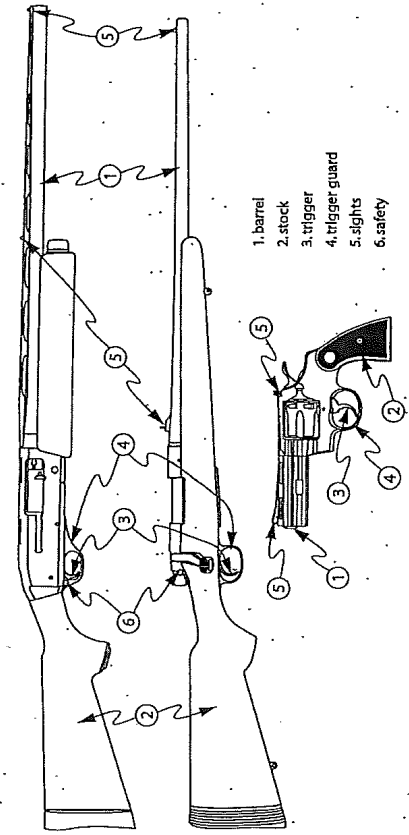
NRA Firearms Sourcebook

Published "Your Ultimate Guide to Guns, Ballistics and Shooting," *The NRA Firearms Sourcebook* is an authoritative 816-pp. reference covering all aspect of firearms and ammunition through easy-to-understand language and clear illustrations, such as those shown with this article. The book is divided into four sections: Firearms & Society; Firearms Technical; Ammunition Technical; and Reference Materials. The glossary, tables and formulas are especially useful. *The NRA Firearms Sourcebook*, item number PB 1848, is available at nrastore.com or (888) 607-6007 for \$34.95 plus shipping.

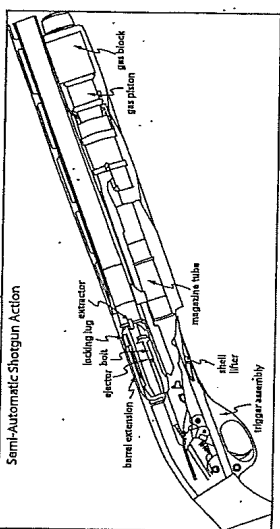
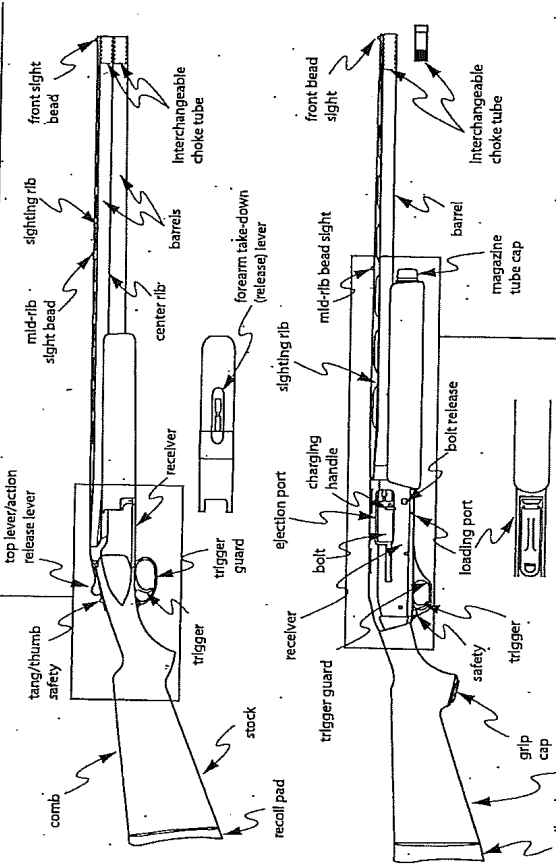


GUN PARTS

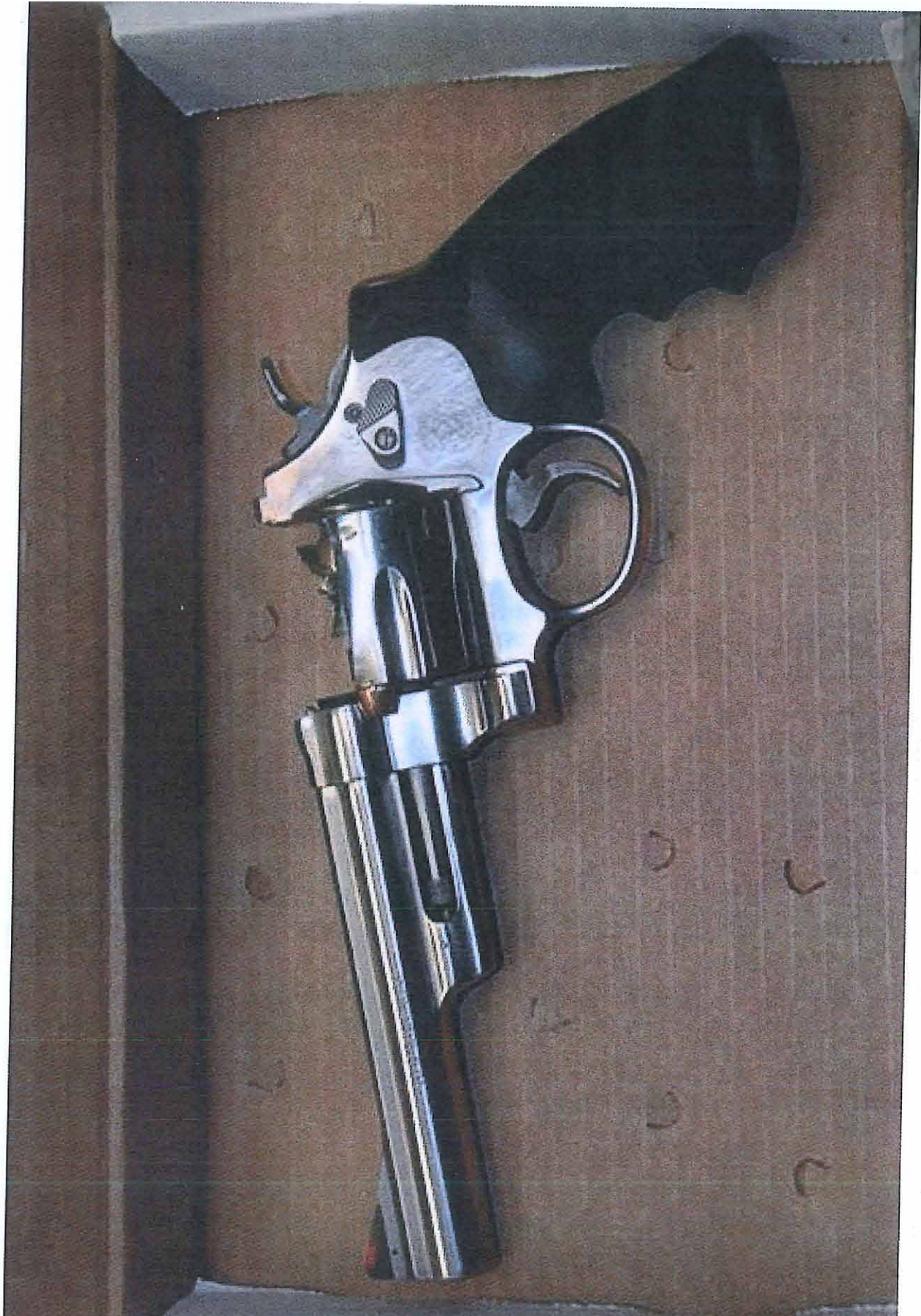
Parts Common to Most Guns



Even though parts may have the same name from platform to platform, they may not have the same function. A bolt in a semi-automatic shotgun has a different function from the bolt—in a revolver.



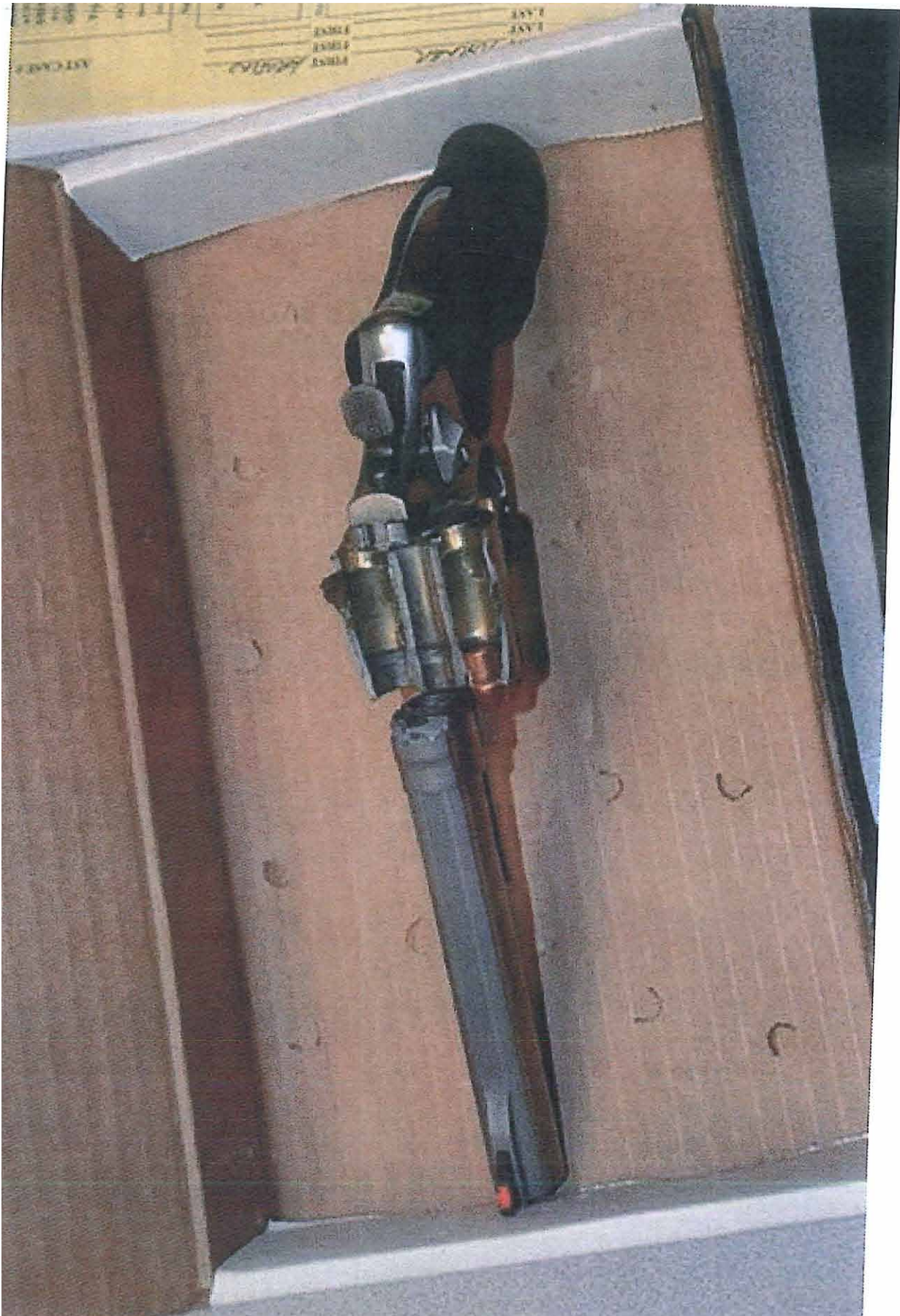
Regardless of whether it is a rifle, shotgun or pistol, most cartridge firearms have some parts nomenclature in common, such as the receiver, trigger, extractor, firing pin and sear. Repeating firearms generally have a bolt and an ejection or loading port, sometimes referred to as an action port.



S&W 629 (.44 Mag) Shooting Chinese AMMO

HOLBROOK SPORTSMEN'S CLUB • 150 QUINCY ST. • HOLBROOK, MA 02343 • 781-767-4971

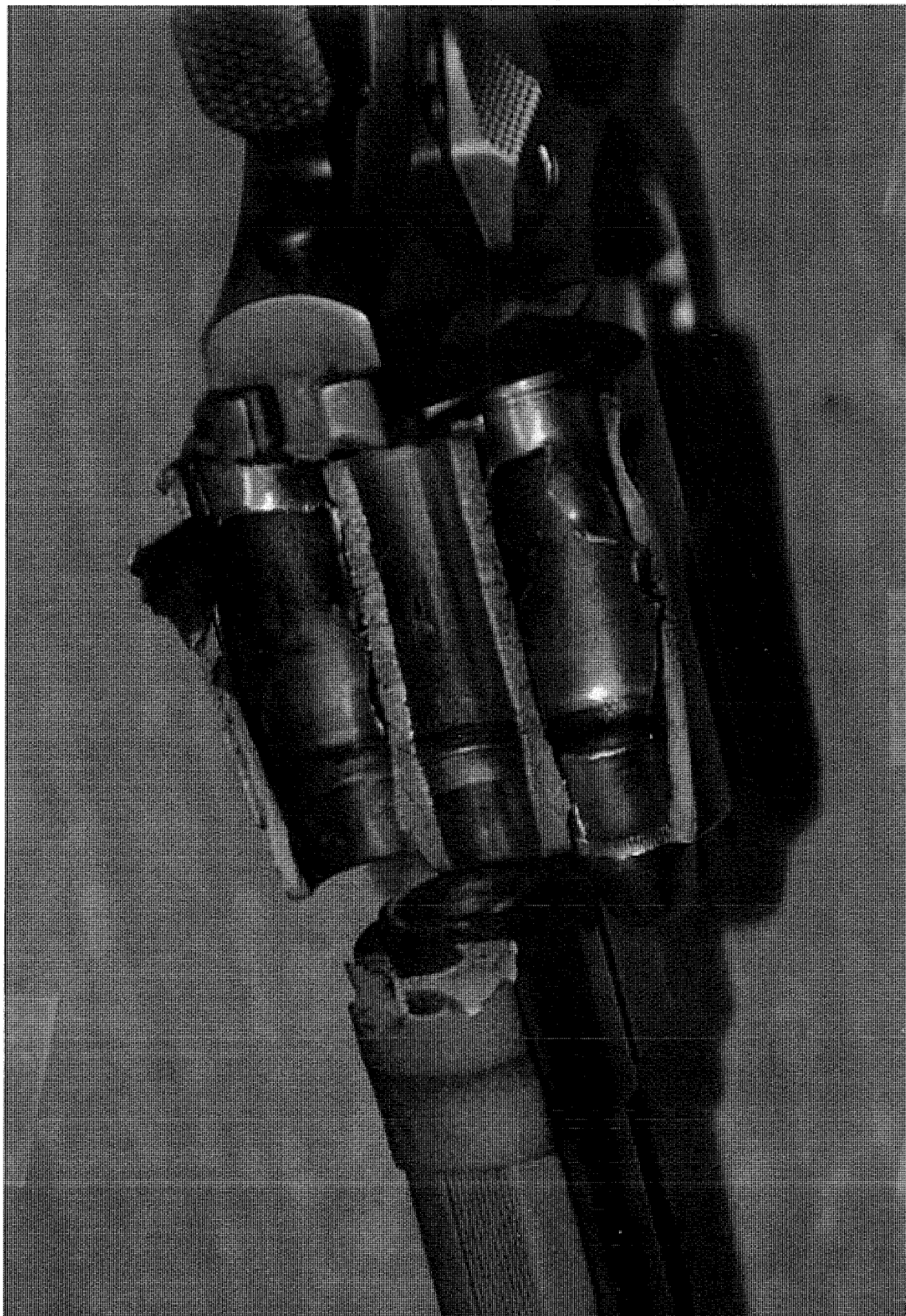
WWW.HOLBROOKSPORTSMENCLUB.COM



S&W 629 (.44 Mag) Shooting Chinese AMMO

HOLBROOK SPORTSMEN'S CLUB • 150 QUINCY ST. • HOLBROOK, MA 02343 • 781-767-4971

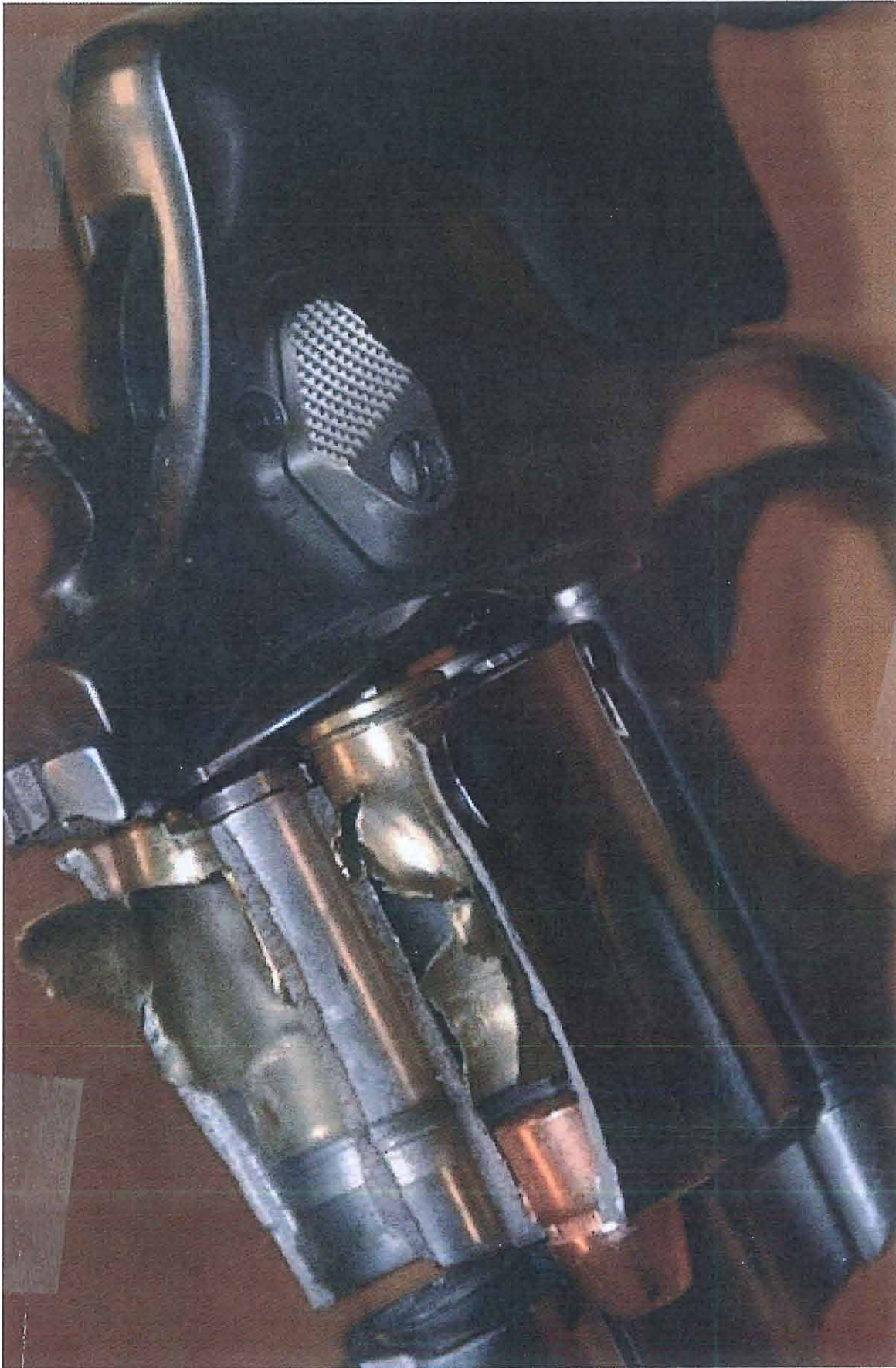
WWW.HOLBROOKSPORTSMENCLUB.COM



S&W 629 (.44 Mag) Shooting Chinese AMMO

HOLBROOK SPORTSMEN'S CLUB • 150 QUINCY ST. • HOLBROOK, MA 02343 • 781-767-4971

WWW.HOLBROOKSPORTSMENCLUB.COM



S&W 629 (.44 Mag) Shooting Chinese AMMO



HOLBROOK SPORTSMEN'S CLUB • 150 QUINCY ST. • HOLBROOK, MA 02343 • 781-767-4971

WWW.HOLBROOKSPORTSMENCLUB.COM



HOLBROOK SPORTSMEN'S CLUB • 150 QUINCY ST. • HOLBROOK, MA 02343 • 781-767-4971

WWW.HOLBROOKSPORTSMENCLUB.COM